

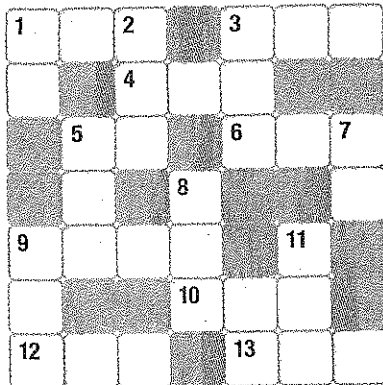
Chapter 3

Number System

Chapter Review



Complete the cross number puzzle by solving the problems.



Across

- 34.5×14
- $569.6 \div 3.2$
- 18.5×40
- $50.4 \div 2.4$
- $562.39 + 304.61$
- 42.5×116
- 339.2×2.5
- $1,584 \div 4.5$
- $1,218 \div 6$

Down

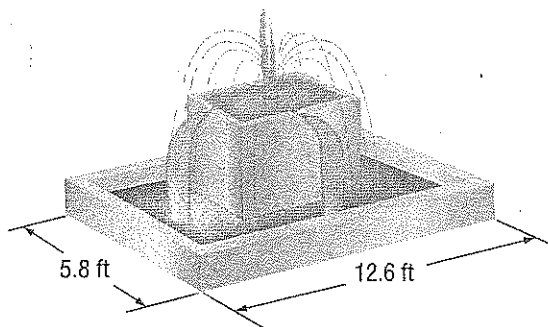
- $24.3 + 15.7$
- 21.2×17.5
- 33.75×3.2
- $146.53 + 92.47$
- $2,628 \div 36.5$
- 24×4.5
- $263.4 + 199.6$
- 35.2×25

Problem Solving

- A car travels 57.9 miles per hour for 3.2 hours. Estimate the number of miles driven. (Lesson 1) _____

- A loaf of bread costs \$1.79. How much would five loaves cost? (Lesson 3) _____

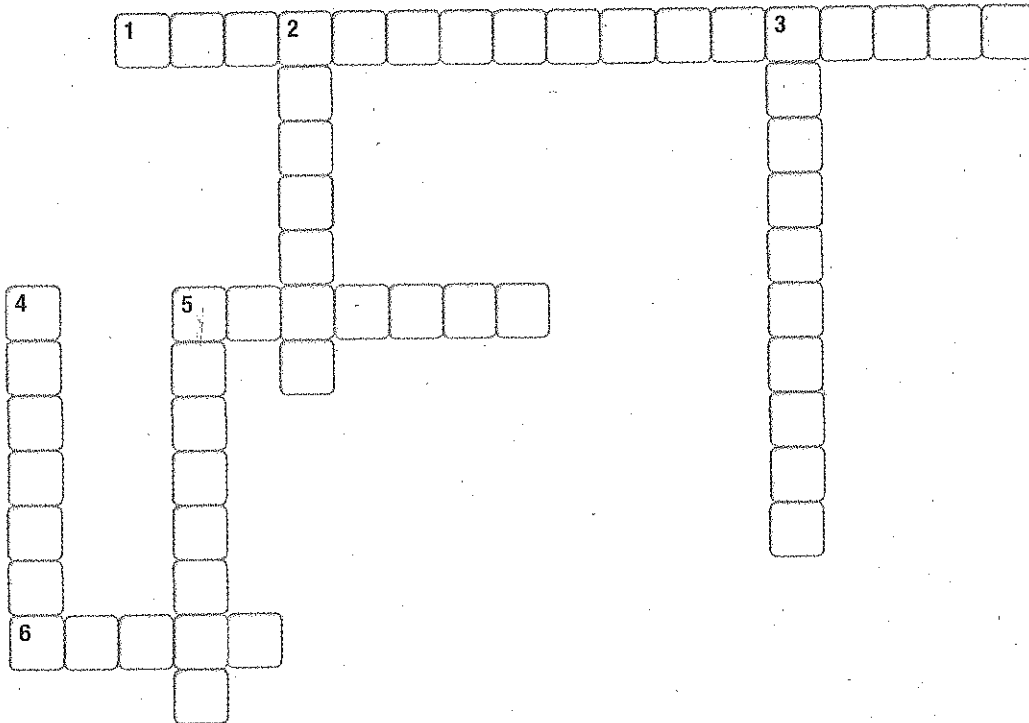
- What is the area of the base of the fountain below? (Lesson 4) _____



Vocabulary Check



Write the correct term for each clue in the crossword puzzle.



Across

1. easy to divide mentally
5. a number that has a digit in the tenths place, hundredths place, or beyond
6. to find an approximate value for a number

Down

2. the answer to a multiplication problem
3. a number with more than one digit
4. the number by which the dividend is being divided
5. a number that is being divided